

AC30 Parts List

Table of Contents

Cabinet

Air Cooled Refrigeration

Water Cooled Refrigeration

Water System

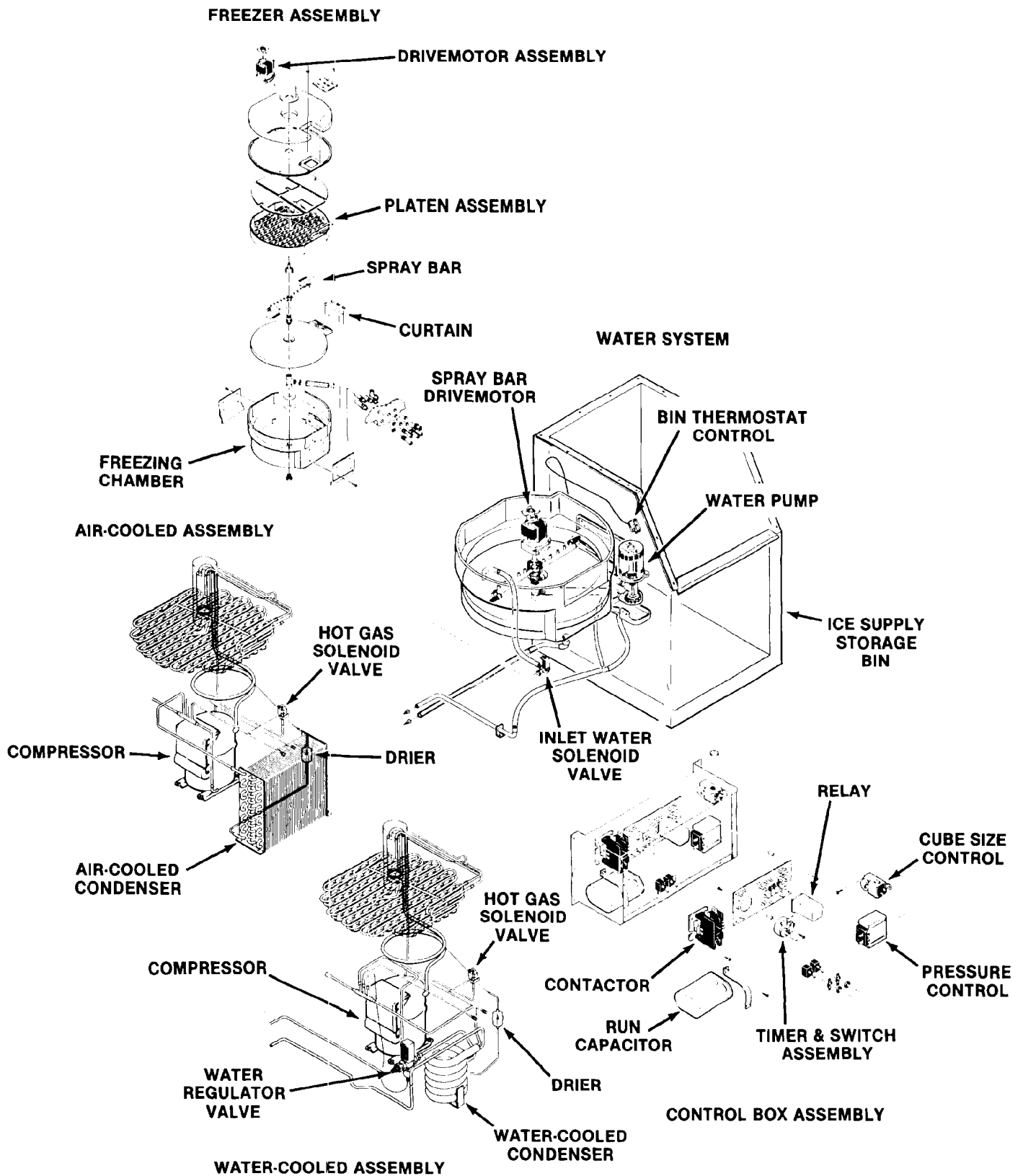
Evaporator

Compressor

Control Box

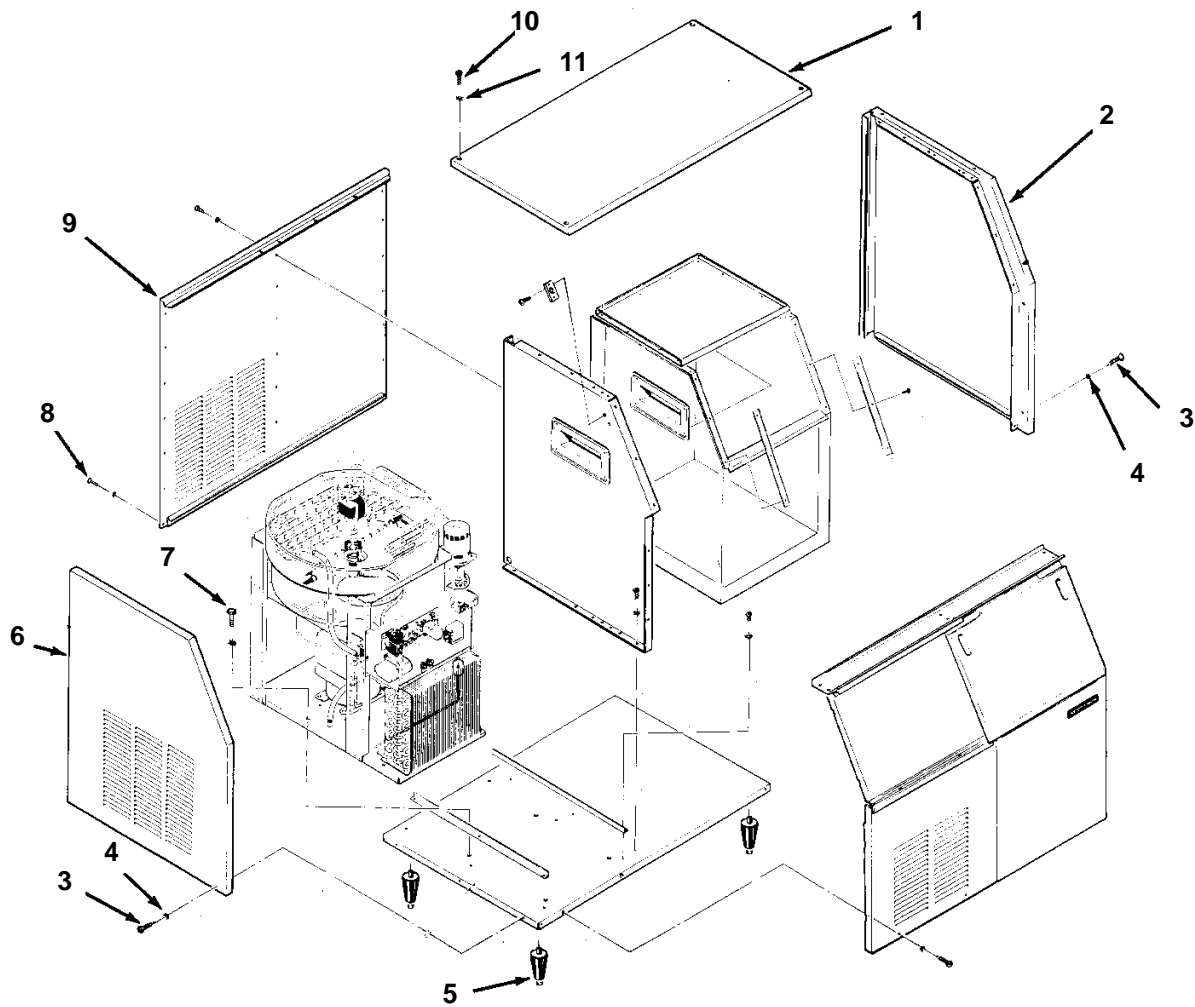
Wiring Diagrams

AC30 THE PARTS ILLUSTRATIONS AND PARTS LIST



AC30 SERVICE PARTS

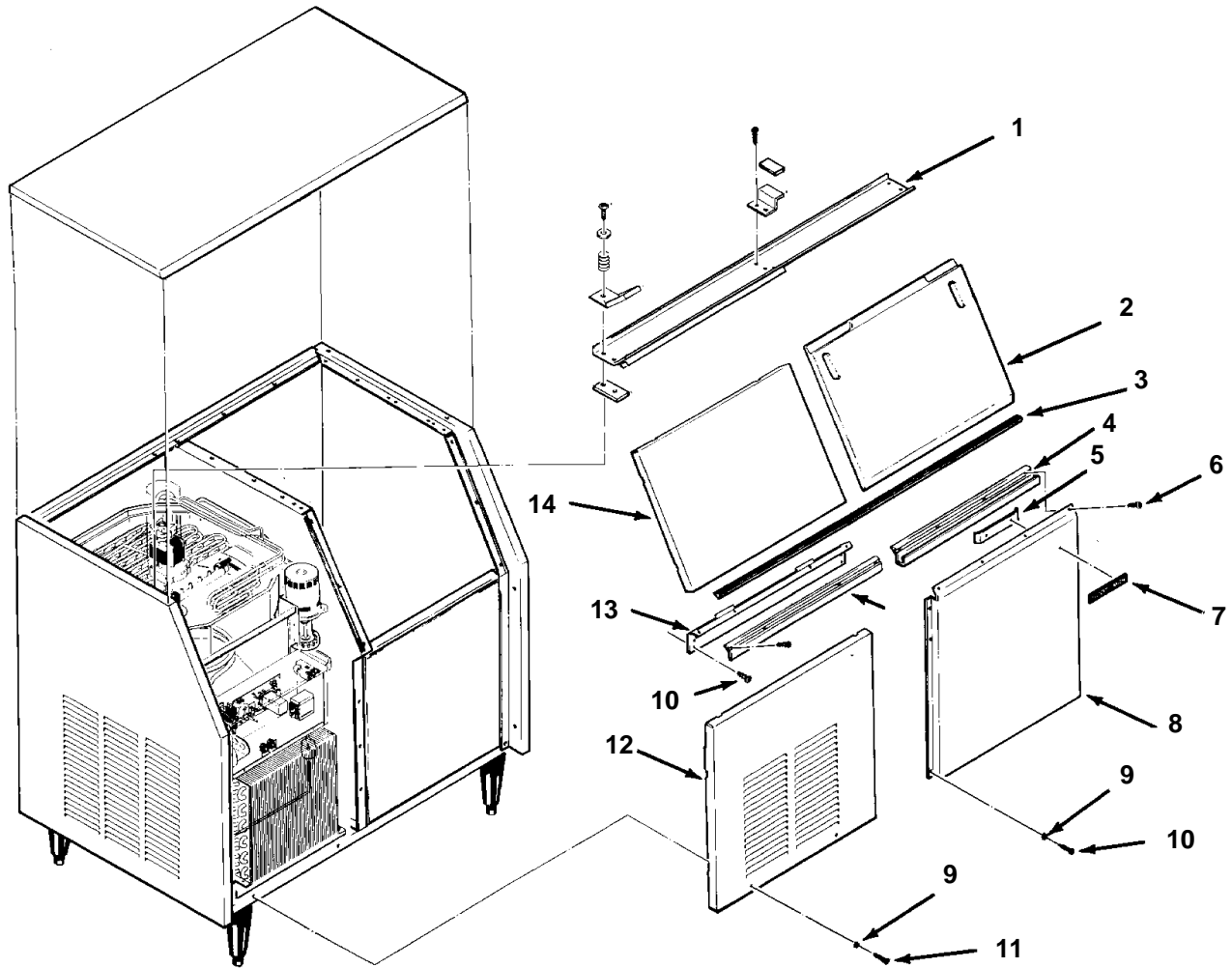
Cabinet - Part 1



ITEM NUMBER	PART NUMBER	DESCRIPTION
1	A24799-004	Top panel, sandalwood
	A24799-015	Top panel, gray
	A24799-005	Top panel, ss
2	A24800-004	Top panel, sandalwood
	A24800-015	Top panel, gray
	A24800-002	Top panel, ss
3	03-1404-10	Screw
	03-1417-03	Washer
5	KLP2E	Legs
6	A27034-004	Left side panel, sandalwood
	A27034-015	Left side panel, gray
	A27034-002	Left side panel, SS
7	03-1405-19	Chassis holddown bolt
8	03-1404-09	Screw
9	A27033-004	Back panel, not painted
10	03-1419-19	Screw
11	03-1417-15	Washer

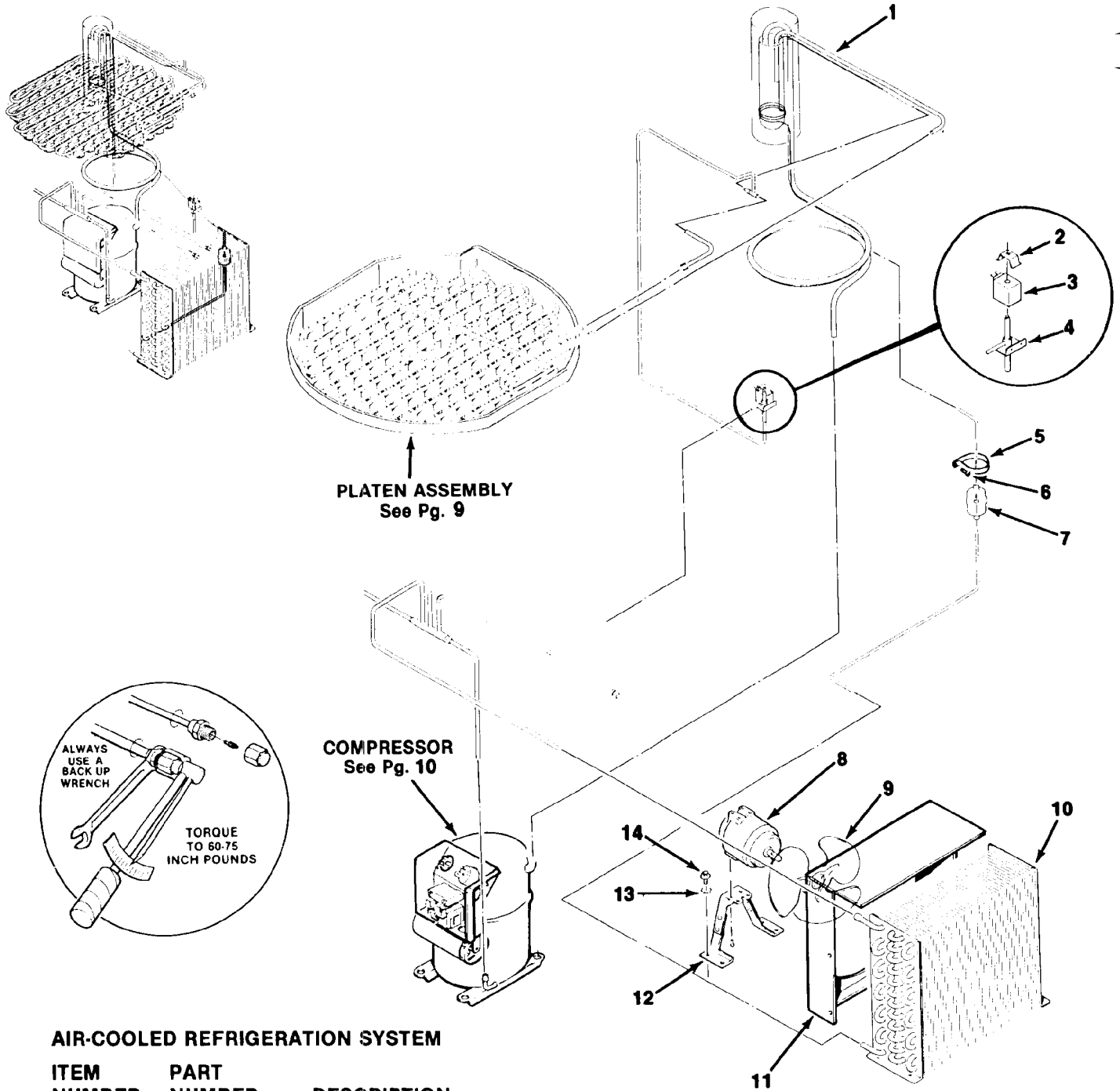
AC30 SERVICE PARTS

Cabinet - Part 2



ITEM NUMBER	PART NUMBER	DESCRIPTION	ITEM NUMBER	PART NUMBER	DESCRIPTION
1	A28823-002	Door track assembly	12	A24796-006	Lower lft frnt pnl, s-wood
2	02-2130-03	Door, brown		A24796-015	Lower left front panel, gray
	02-2130-34	Door, gray for SS		A24796-007	Lower left panel, ss
	02-2130-34	Door, gray	13	A24787-002	Left front bracket
3	15-0324-00	Plastic insert	14	A24795-004	Upper front panel, s-wood
4	15-0620-01	Moulding strip right		A24795-015	Upper front panel, gray
5	03-0271-00	Speed clip		A24795-007	Upper front panel, SS
6	03-1419-16	Screw			
7	15-0711-01	Emblem for sandalwood			
	15-0808-01	Emblem for SS or gray			
8	A24794-004	Right front panel, sandalwood			
	A24794-015	Right front panel, gray			
	A24794-002	Right front panel, SS			
9	03-1417-03	Washer			
10	03-1417-09	Screw			
11	03-1417-16	Screw			

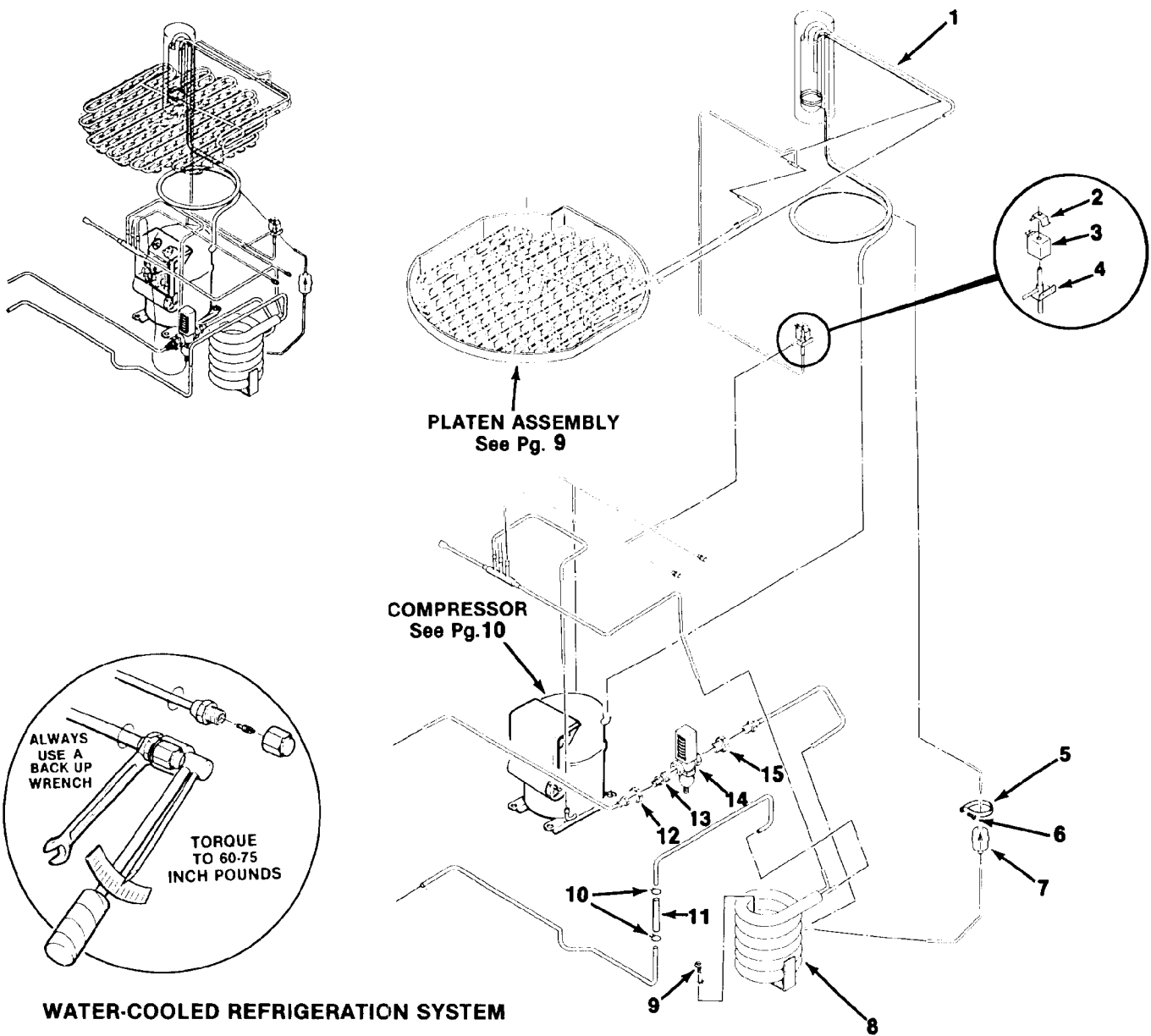
AC30 THE PARTS ILLUSTRATIONS AND PARTS LIST



AIR-COOLED REFRIGERATION SYSTEM

ITEM NUMBER	PART NUMBER	DESCRIPTION
1	A28799-020	Heat Exchanger Assembly
2	12-2009-01	Coil Clamp
3	12-2008-01	Coil
4	12-2007-01	Valve Body and Plunger Assembly
5	A09386-000	Drier Brace
6	03-1404-09	Screw, #6 x 1/4
7	02-2426-01	Drier
8	12-1681-01	Fan Motor
9	18-0625-00	Fan Blade
10	18-0396-01	Air-Cooled Condenser
11	02-2352-01	Shroud
12	A25548-001	Fan Motor Bracket
13	03-1417-08	Lockwasher
14	03-0571-00	Screw, 1/4-20

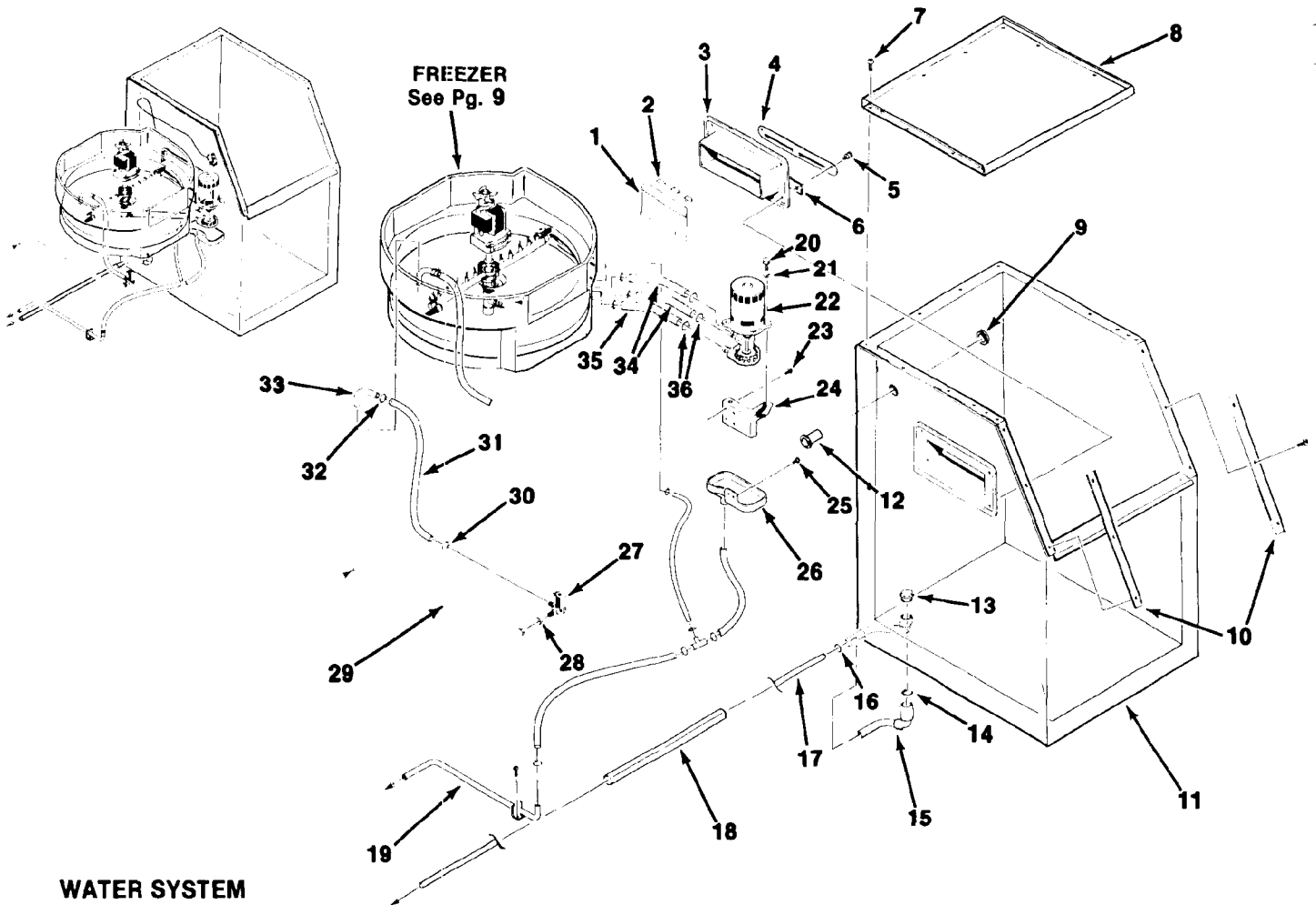
AC30 THE PARTS ILLUSTRATIONS AND PARTS LIST



WATER-COOLED REFRIGERATION SYSTEM

ITEM NUMBER	PART NUMBER	DESCRIPTION
1	A28799-020	Heat Exchange Assembly
2	12-2009-01	Coil Clamp
3	12-2008-01	Coil
4	12-2007-01	Valve Body and Plunger Assembly
5	A09386-000	Drier Brace
6	03-1404-09	Screw, #6 x 1/4
7	02-2426-01	Drier
8	18-3305-02	Water-Cooled Condenser
9	03-0571-00	Screw, #1/4-20 x 1/2
10	02-0538-00	Hose Clamp
11	No Number	Tygon Tube
12	03-1394-01	Pal Nut
13	No Number	Water Inlet Fitting
14	11-0198-02	Water Regulator Assembly
15	No Number	Coupling

AC30 THE PARTS ILLUSTRATIONS AND PARTS LIST



WATER SYSTEM

ITEM NUMBER	PART NUMBER	DESCRIPTION
1	02-2038-01	Curtain Assembly
2	03-1526-01	U-Type Clip
3	02-2131-01	Cube Spout
4	A24828-001	Bulb Cover
5	03-0727-04	Thumbscrew
6	No Number	Insulating Tape
7	03-1404-09	Screw, #8 x 1/2
8	A24822-001	Storage Bin Cover
9	13-0557-01	Grommet
10	A29977-001	Support Strip Kit (Left & Right Sides)
11	A30835-002	Storage Bin
12	No Number	Snap Bushing
13	02-2809-01	Drain Top
14	13-0617-11	O-Ring
15	A27018-001	Bin Drain Assembly
16	02-1338-00	Hose Clamp
17	No Number	Bin Drain Tube
18	No Number	Tube Covering
19	No Number	Drain Tube Assembly
20	03-0571-01	Screw, #1/4-20 x 1/2
21	03-1407-05	Washer
22	12-2263-21	Water Pump Assembly
23	03-1404-09	Screw, #8 x 1/2
24	A24769-001	Pump Bracket
25	03-1404-09	Screw, #8 x 1/2
26	02-2338-01	Drip Pan
27	12-1900-01	Water Solenoid Valve
28	03-1394-01	Pal Nut
29	No Number	Water Inlet Tube
30	02-0694-00	Hose Clamp
31	13-0674-09	Tygon Tube 24"
32	No Number	Clamp
33	No Number	Inlet Water Tube
34	05-0511-01	Tubing (Pre-formed)
35	05-0511-02	Tubing
36	02-1530-00	Hose Clamps
37	05-0501-01	Sump Drain Tube (Not Shown)

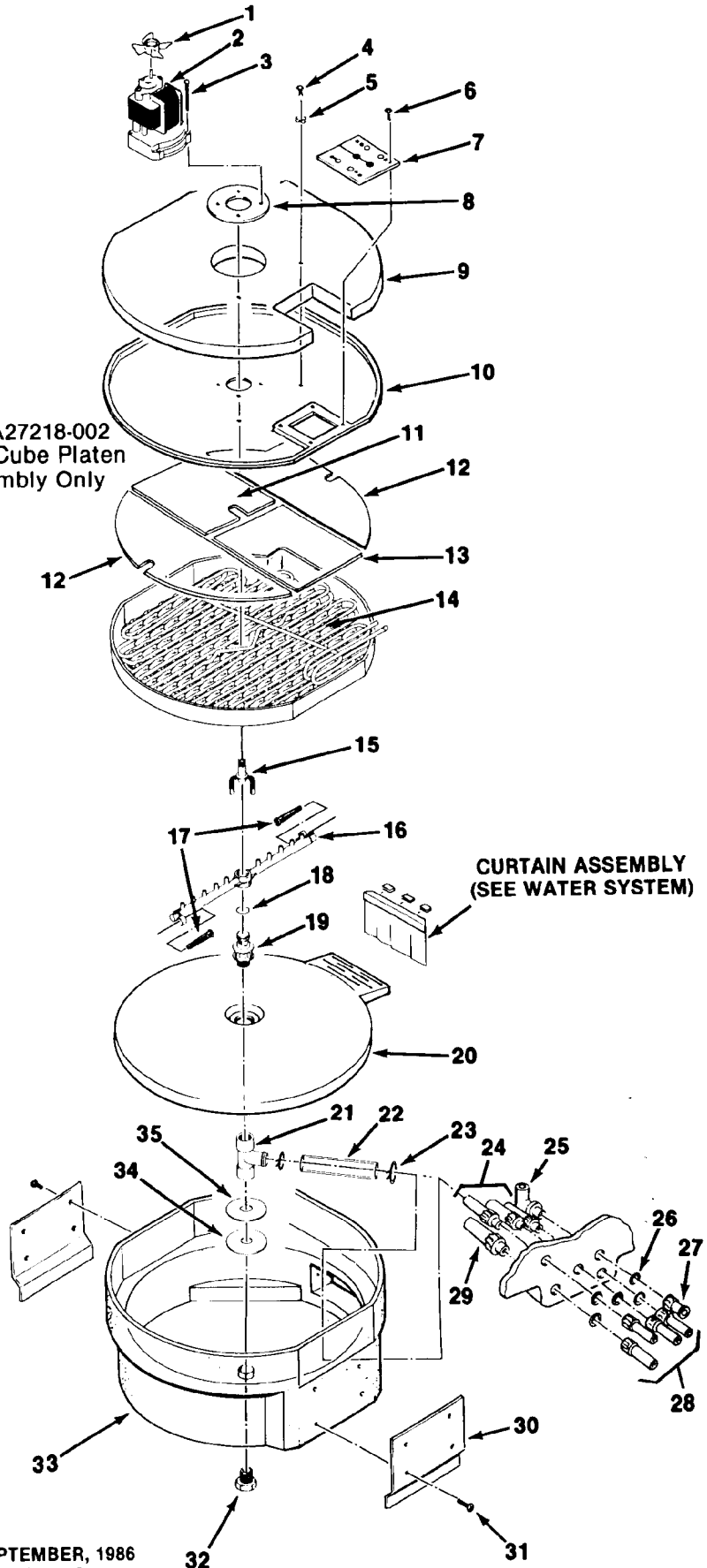
AC30 THE PARTS ILLUSTRATIONS AND PARTS LIST

FREEZER ASSEMBLY

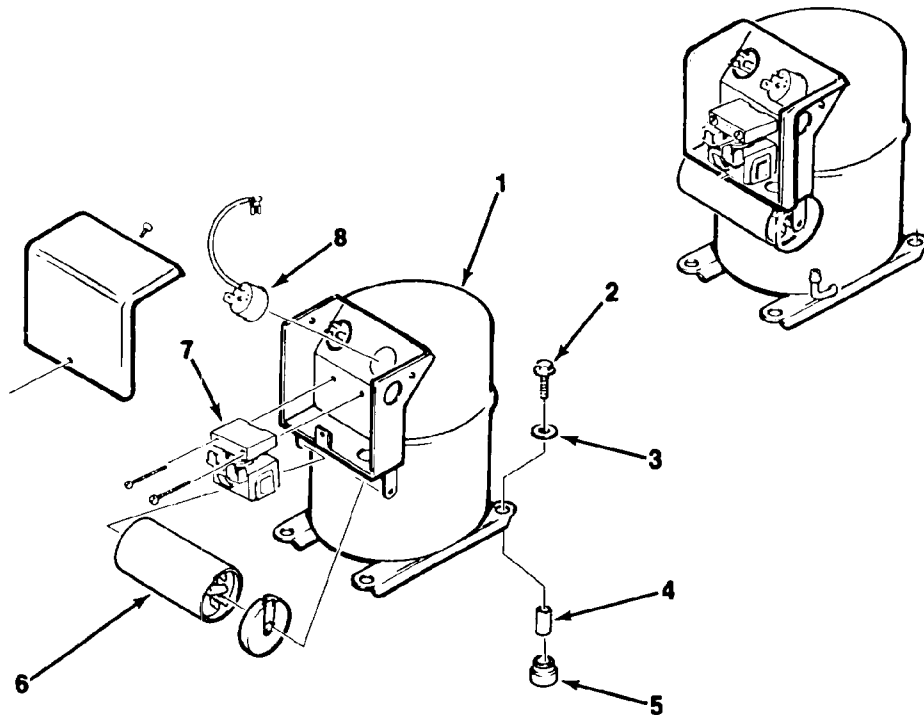
ITEM NUMBER	PART NUMBER	DESCRIPTION
1	12-0675-25	Fan Blade
2	A24656-001	Drivemotor Assembly
3	03-1404-28	Screw, #6 x 1
4	03-1404-10	Screw, #8 x 1/2
5	A24830-001	Washer
6	02-2065-02	Hole Plug, Plastic
7	02-2129-01	Tube Spacer
8	13-0176-00	Gasket
9	02-2124-01	Insulation Cover
10	A24803-001	Freezing Chamber Cover
11	A24198-004	Spray Deflector
12	A24198-001	Spray Deflector
13	A24198-003	Spray Deflector
14	A27218-002	Platen Assembly (Small Cubes)
	A27217-002	Platen Assembly (Medium Cubes)
	A24129-002	Platen Assembly (Large Cubes)
15	02-2369-02	Drive Fork
16	A25480-001	Spray Bar
17	No Number	Rubber Spray Bar Ends (With Spray Bar Assembly)
18	13-0617-25	O-Ring
19	02-2120-01	Spray Bar Bearing
20	02-2028-01	Inner Bottom
21	02-2121-01	Inlet Housing
22	13-0674-07	Tygon Tube 8"
23	02-1358-01	Hose Clamp
24	02-2080-01	Tube, Male
25	02-2125-01	Stand Pipe
26	13-0617-02	O-Ring (Cut-off)
27	02-2606-01	Tube, Female
28	02-2081-01	Tube, Female
29	02-2082-01	Tube
30	A24498-001	Front Mount
31	03-1404-18	Screw, #10 x 5/8
32	02-2122-01	Bottom Plug
33	A24819-001	Freezing Chamber
34	A23827-001	Rubber Washer
35	A23827-001	Support Plate, Spray Bar

For A27218-002
Small Cube Platen
Assembly Only

CURTAIN ASSEMBLY
(SEE WATER SYSTEM)



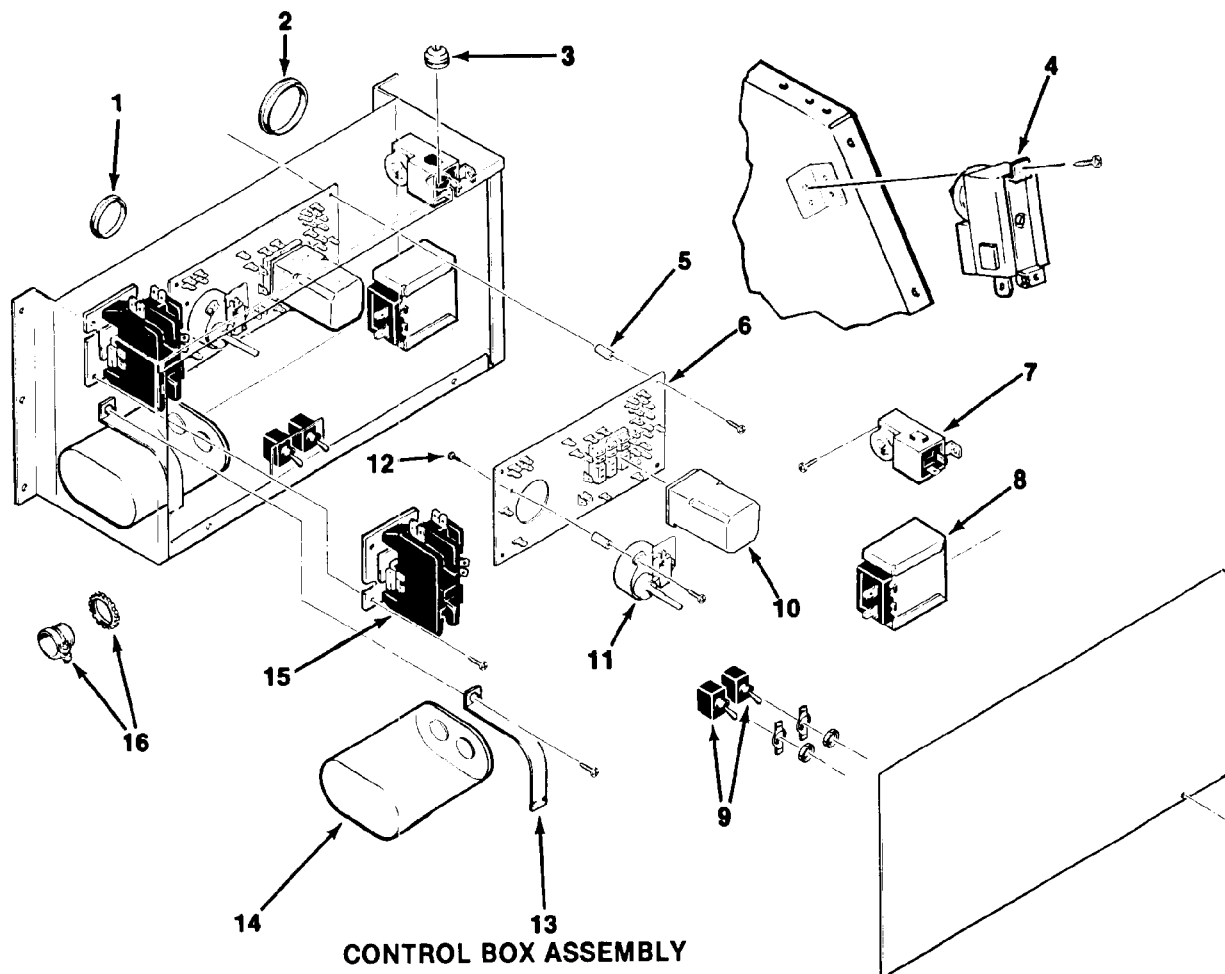
AC30 THE PARTS ILLUSTRATIONS AND PARTS LIST



COMPRESSOR ASSEMBLY

ITEM NUMBER	PART NUMBER	DESCRIPTION
1	18-3900-01	Compressor
2	03-1405-20	Screw
3	03-1407-07	Washer
4	18-2200-27	Sleeve
5	18-2200-28	Grommet
6	18-2420-00	Capacitor
7	18-2410-00	Relay
8	18-2400-25	Overload

AC30 THE PARTS ILLUSTRATIONS AND PARTS LIST

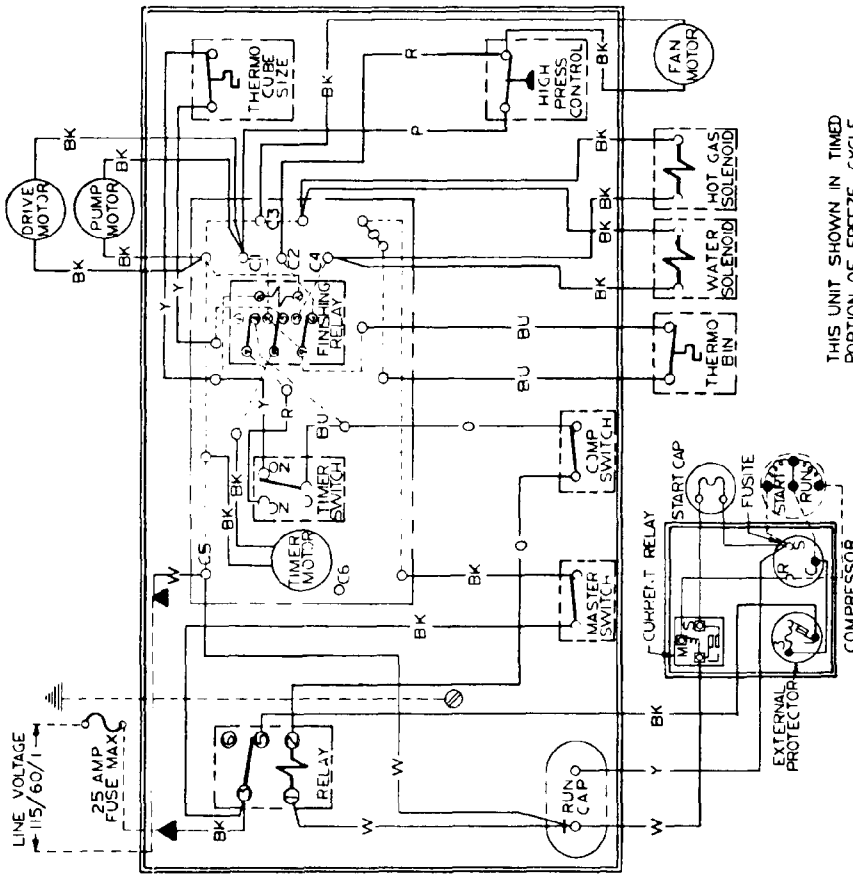


CONTROL BOX ASSEMBLY

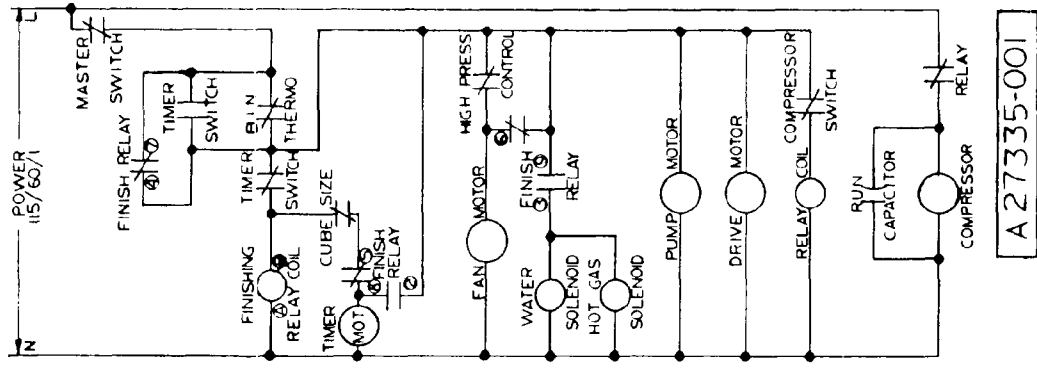
ITEM NUMBER	PART NUMBER	DESCRIPTION
1	12-1213-10	Bushing
2	12-1213-13	Bushing
3	13-0124-00	Grommet
4	11-0353-23	Bin Temperature Control
5	02-2242-02	Stand Off
6	12-1912-01	Circuit Board Assembly
7	11-0345-02	Cube Size Control
8	11-0388-02	Pressure Control (Water-Cooled)
	11-0389-02	Pressure Control (Air-Cooled)
9	12-0426-01	Switch
10	12-1879-02	Relay
11	12-1979-01	Timer & Switch Assembly
12	03-1403-04	Screw
13	<i>No Number</i>	Capacitor Bracket
14	18-1902-17	Run Capacitor
15	12-2041-01	Contactors
16	12-0350-00	Connectors

AC30 WIRING DIAGRAM

CAUTION: MORE THAN ONE DISCONNECT MAY BE REQUIRED TO DISCONNECT ALL POWER TO THIS UNIT.
THIS UNIT MUST BE GROUNDED.



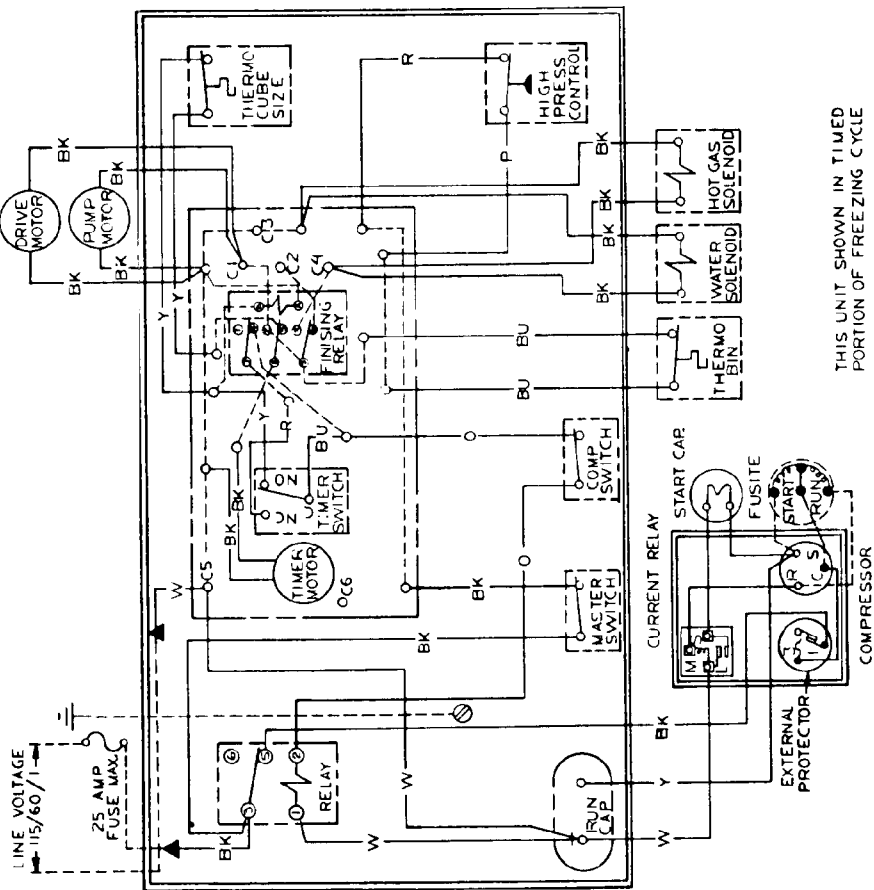
THIS UNIT SHOWN IN TIMED PORTION OF FREEZE CYCLE



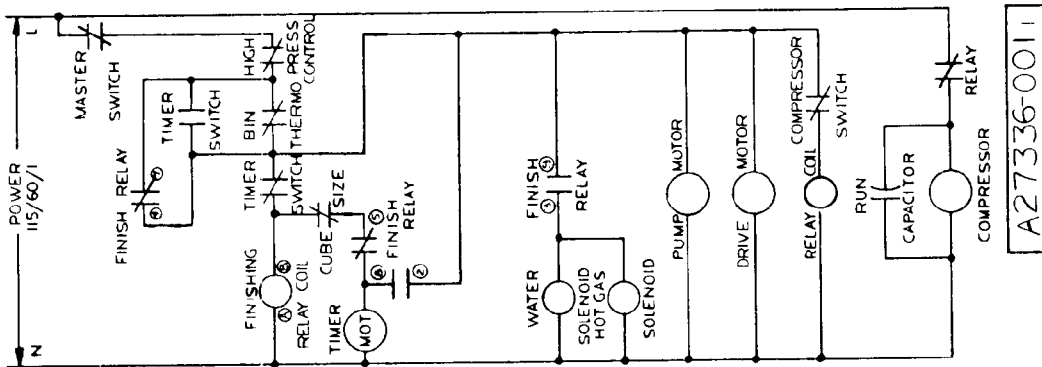
Wiring Diagram - Air-Cooled AC30-1A (115/60/1)

AC30 WIRING DIAGRAM

CAUTION: MORE THAN ONE DISCONNECT MAY BE REQUIRED TO DISCONNECT ALL POWER TO THIS UNIT. THIS UNIT MUST BE GROUNDED.



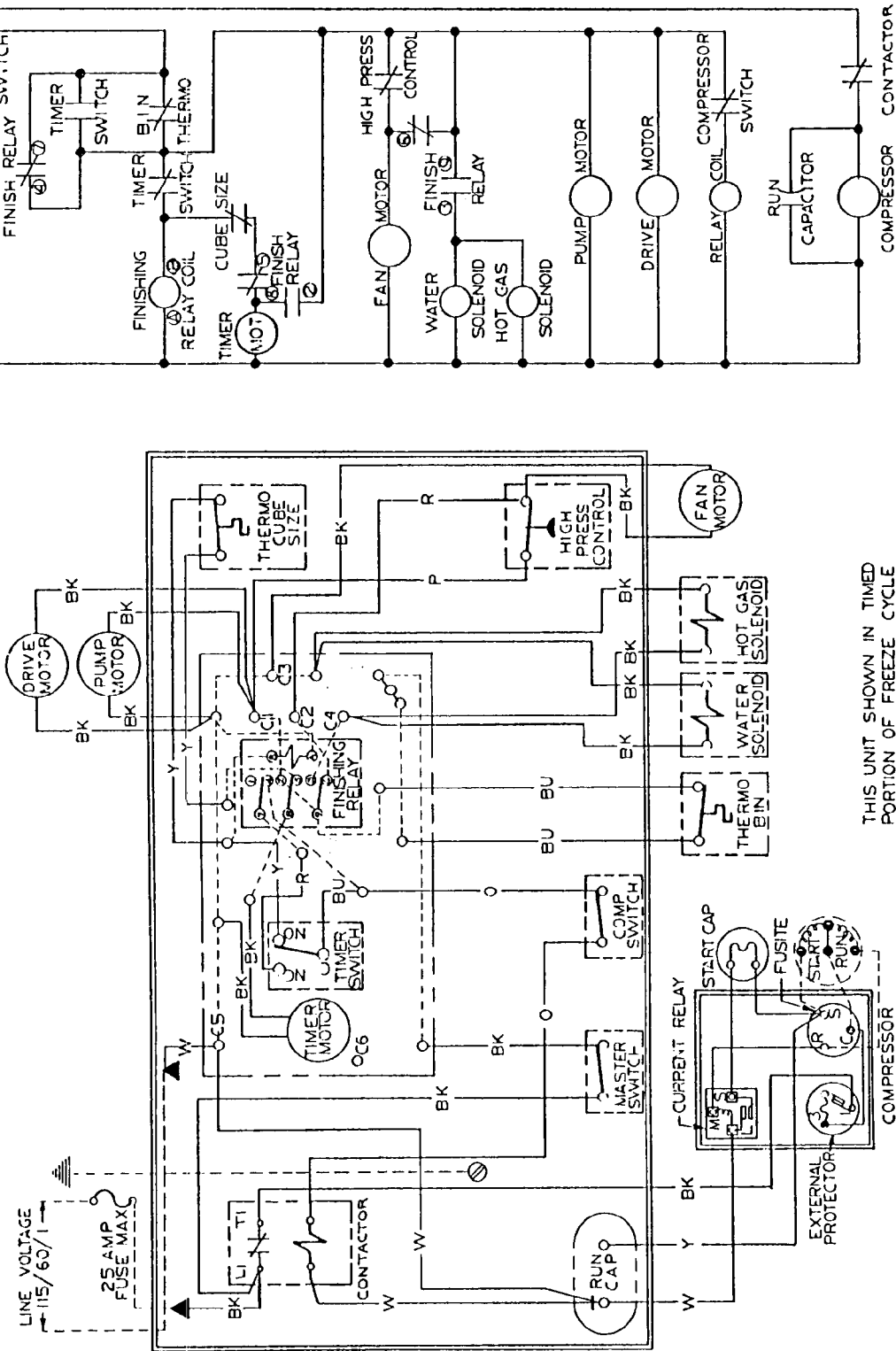
THIS UNIT SHOWN IN TIMED PORTION OF FREEZING CYCLE



Wiring Diagram - Water-Cooled AC30-1A (115/60/1)

AC30 WIRING DIAGRAM

CAUTION: MORE THAN ONE DISCONNECT MAY BE REQUIRED TO DISCONNECT ALL POWER TO THIS UNIT.
THIS UNIT MUST BE GROUNDED.



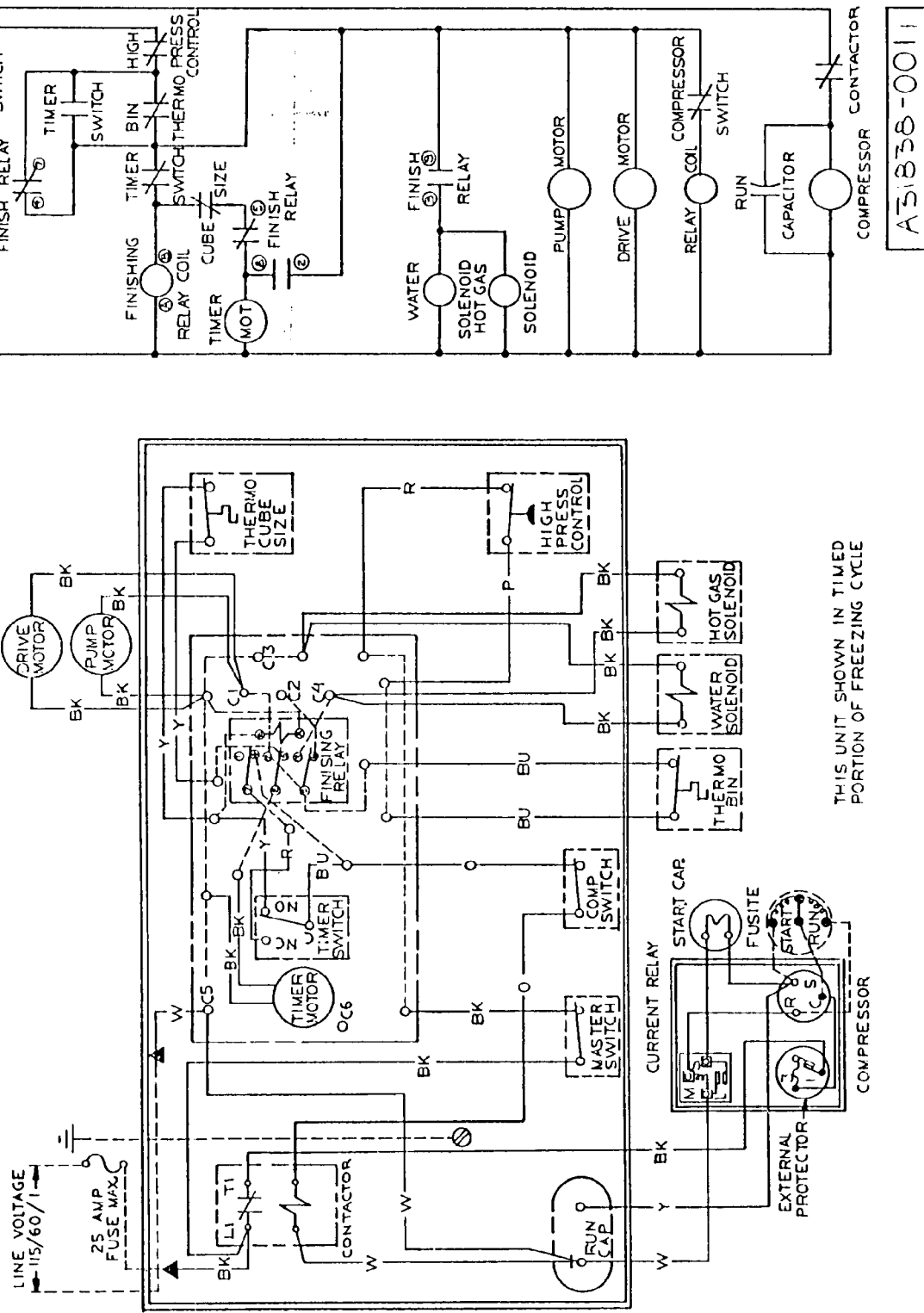
A51837-001

THIS UNIT SHOWN IN TIMED PORTION OF FREEZE CYCLE

Wiring Diagram - Air-Cooled AC30-1B (115/60/1)

AC30 WIRING DIAGRAM

CAUTION: MORE THAN ONE DISCONNECT MAY BE REQUIRED TO DISCONNECT ALL POWER TO THIS UNIT.
THIS UNIT MUST BE GROUNDED.



Wiring Diagram - Water-Cooled AC30-1B (115/60/1)

A31838-0011